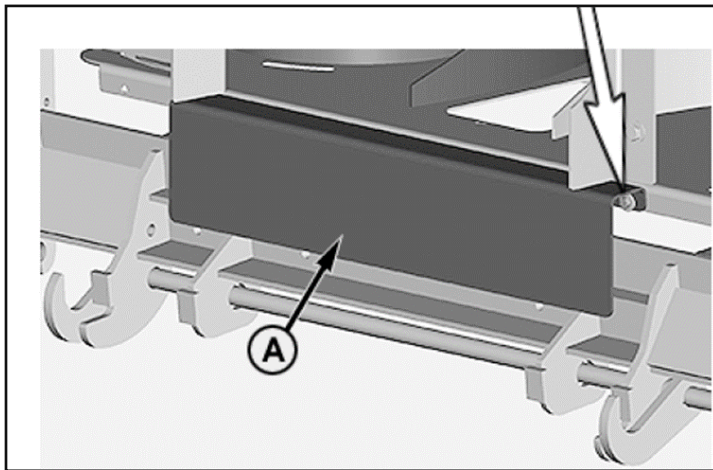
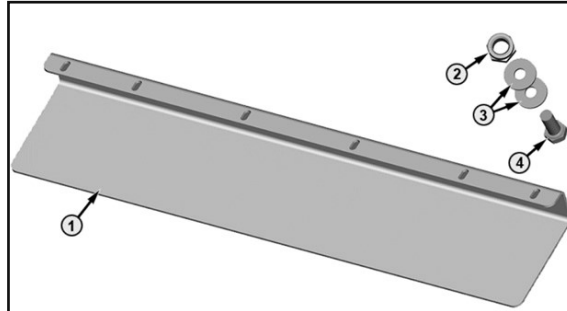
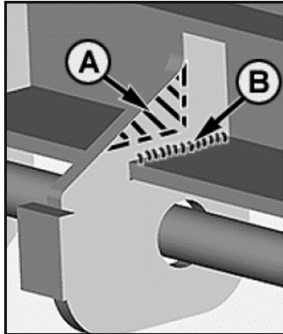


BLINDING SHEET FOR CLAAS



The sheet minimizes the crop losses between the header and the feedrolls of the SPFH.



Installation time:

approx. 2 h.



Package contents:

- All necessary elements for the retrofit
- Installation instructions



For the correct usage please check the operating manual

Header type	Attachment number	Info
460plus (up to model year 2018)	114596	LCA115817
475plus (up to model year 2017)		