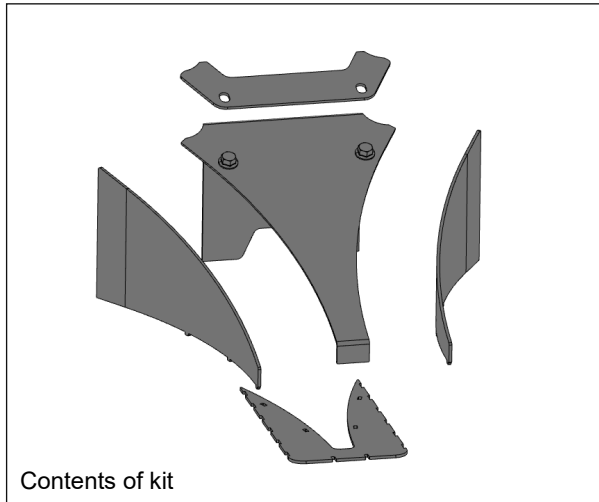


BOTTOM PLATE OPTIMIZATION 400PLUS

This change* of the bottom plate will allow more even crop transfer to the forage harvester. This positively influences the chopper's utilization and wear on the wear parts.

**Installation time:**

approx. 7 h

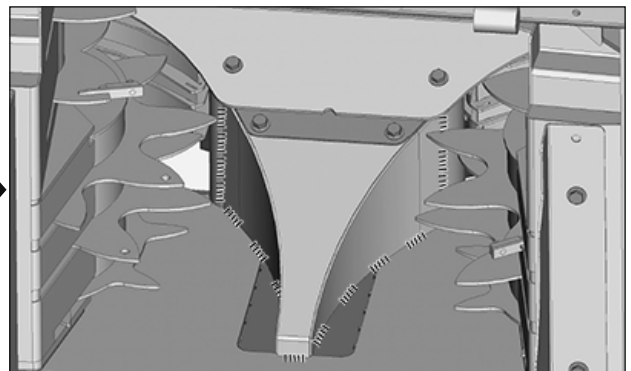
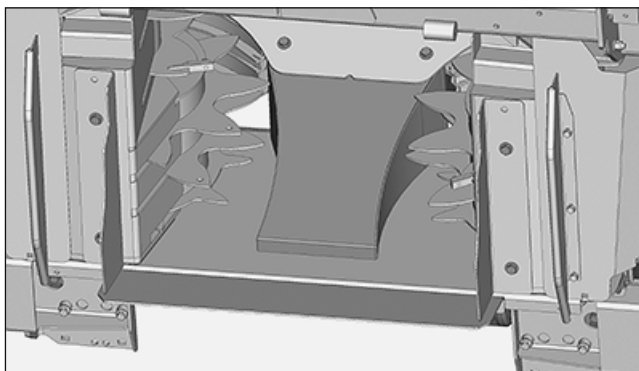
**Package contents:**

- All necessary elements for the retrofit
- Installation instructions



For the correct usage please check the operating manual

Header type	Part number
400plus series, 460plus Stalkbuster	LCA131283



*Optimization includes cutting and welding