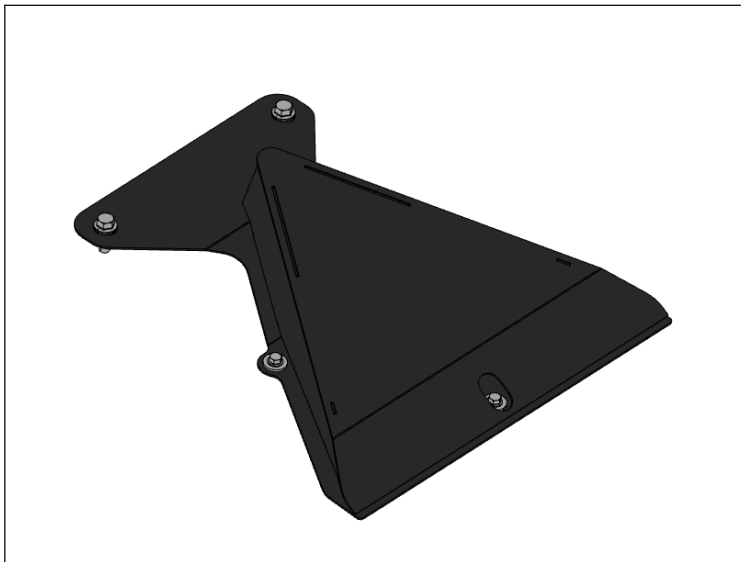


DEFLECTOR 400PLUS

The new geometry of the tower prevents wrapping in particularly difficult conditions such as down crop and moth maize.



Installation time:

approx. 5 min.



Package contents:

- All necessary elements for the retrofit
- Installation instructions



For the correct usage please check the operating manual



Header type	Part number
400plus series, 460plus Stalkbuster	LCA133723