

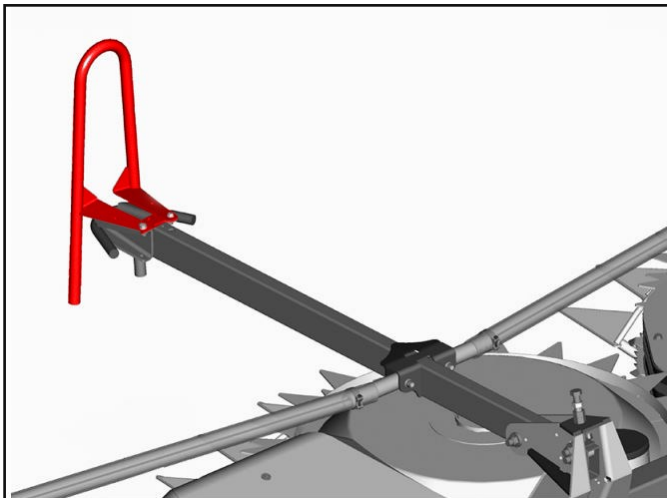
GUIDE BAR FOR DOWN CROP

Only combined with comfort wheel

To avoid accumulation of material on the middle beam, you can retrofit your machine with the guide bar.

Benefits:

- Avoiding crop accumulation
- Better feeding of the crop



Installation time:

approx. 5 min.



Package contents:

- All necessary elements for the retrofit
- Installation instructions



For the correct usage please check the operating manual

Header type*	Attachment number	Info
360plus	122065	LCA122066
375plus		
390plus		
400plus series		

*Please note that the retrofitting is only necessary for the machines with comfort wheel