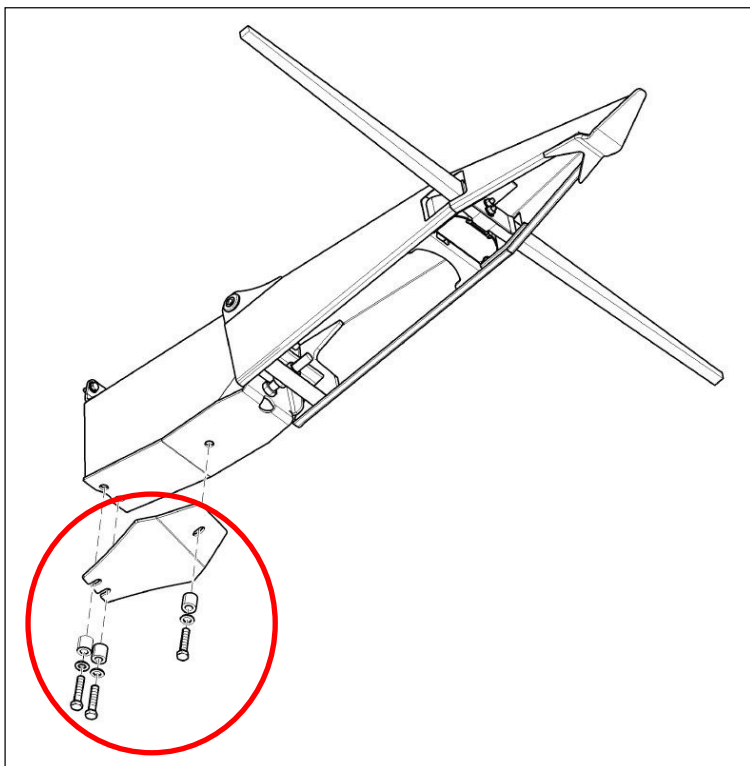


GUIDE PLATE

The additional plate allows a more even cutting height.



Installation time:

approx. 10 min



Package contents:

- All necessary elements for the retrofit
- Installation instructions



For the correct usage please check the operating manual

Header type	Attachment number
460plus	LCA118533
475plus	
490plus	