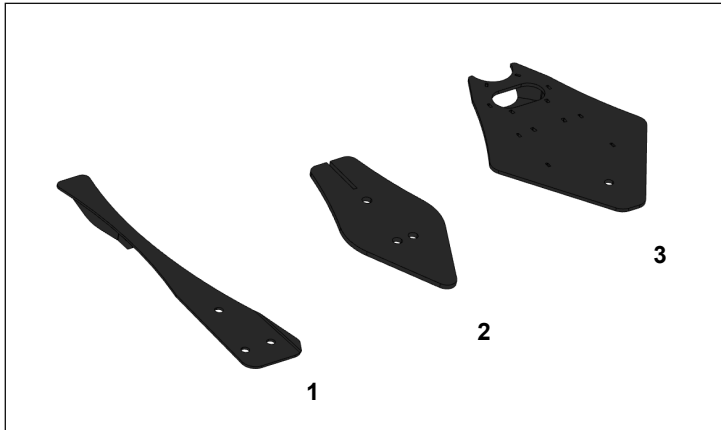


BETTER STALK CUT QUALITY 400PLUS

The additional plates allow a more consistent cut pattern when the row spacing is different than 75 cm or when crossing the row.

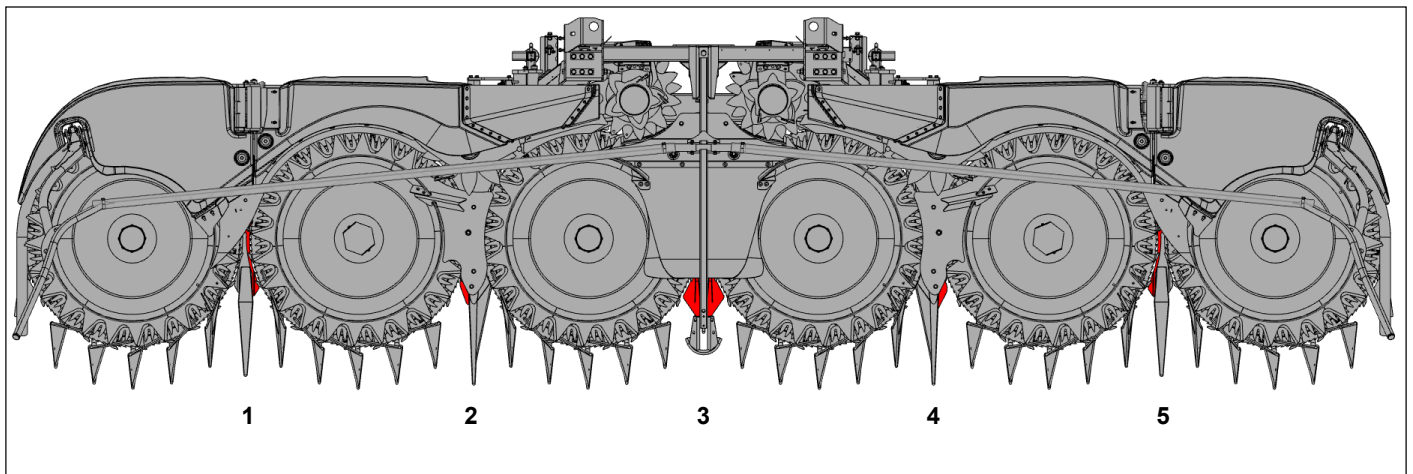


Installation time:

approx. 1,5 h



For the correct usage
please check the operating
manual



	1*	2	3		4	5*
			when steering system installed	when steering system not installed		
460plus, 460plus Stalkbuster	LCA129054	-	LCA128050	LCA128025	-	LCA129055
475plus	-	LCA131047	LCA128050	LCA128025	LCA131047	-
490plus	LCA128018	LCA131047	LCA128050	LCA128025	LCA131047	LCA128017

* Attention: For the parts under numbers 1 and 5 order additionally 3x19M9640 (M10x30) and 1xLCA84221. Also drilling work on the header required!