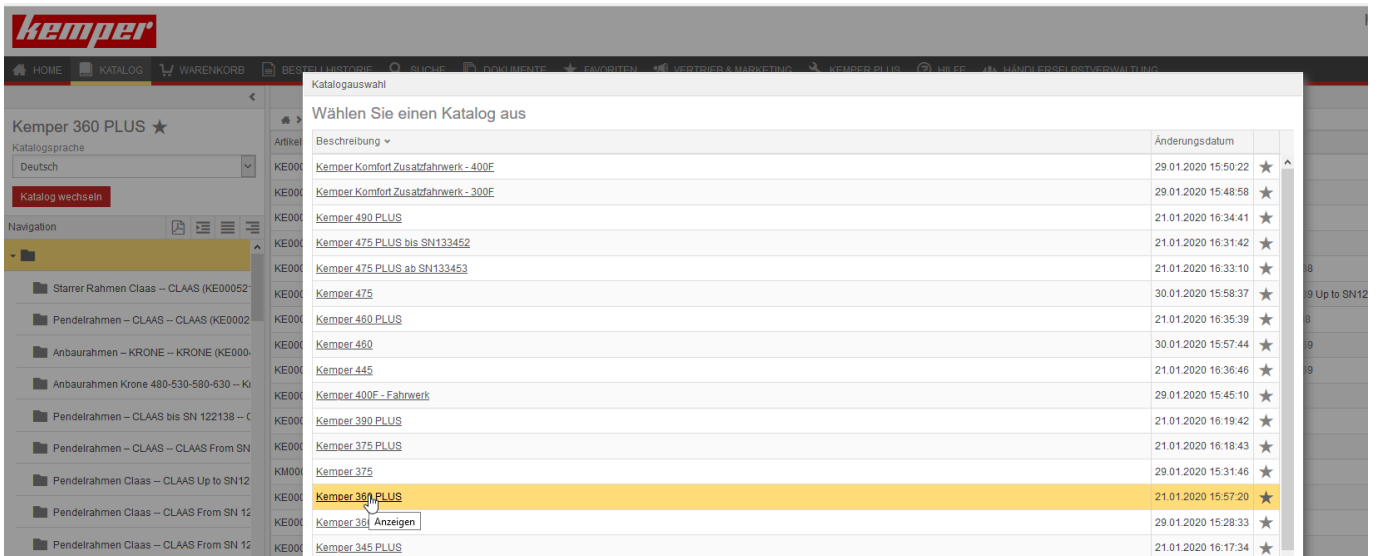
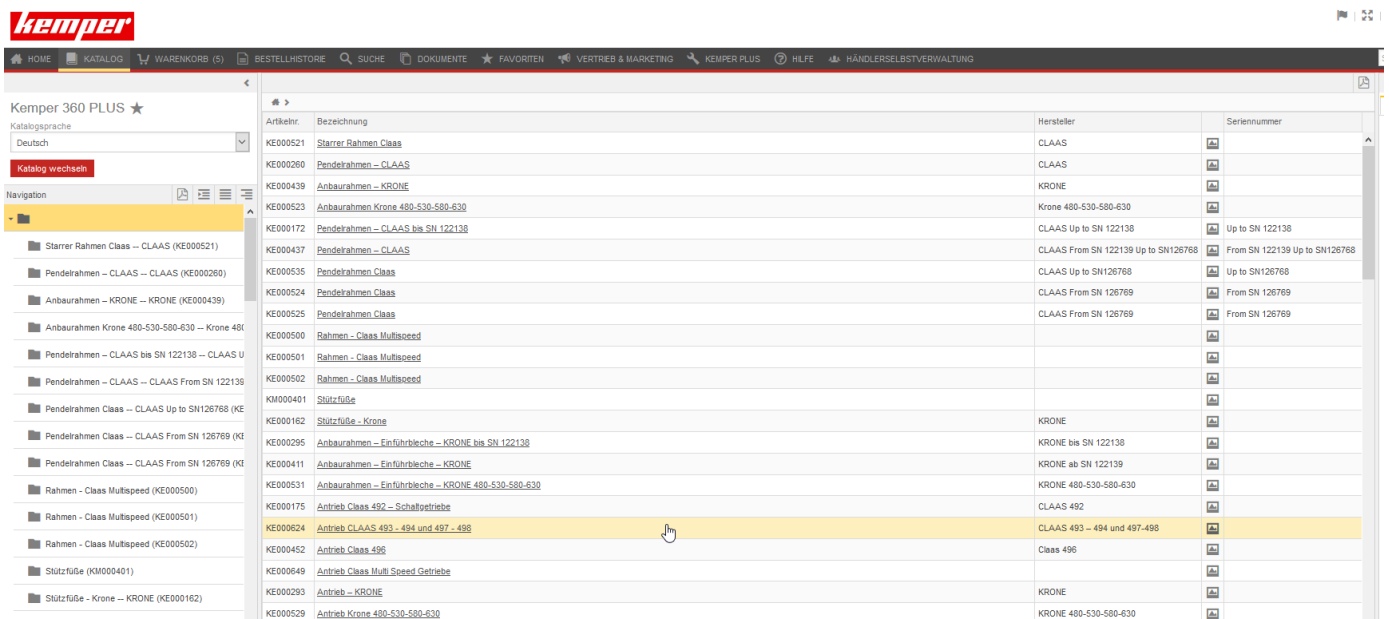


# Kemper Web Shop 2.0 manual

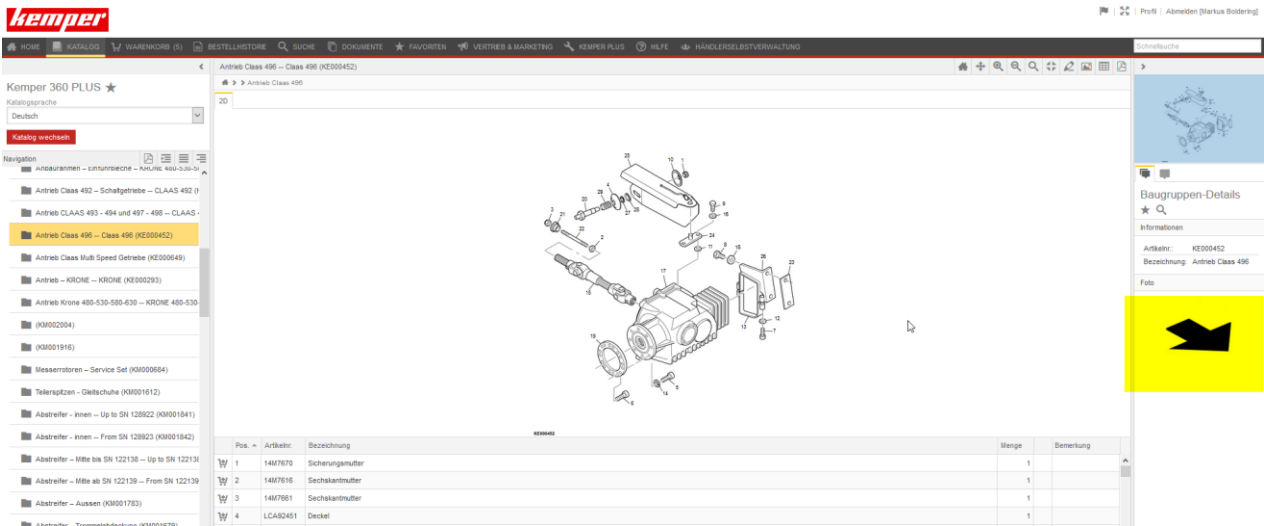
## 1. Filling the shopping cart via catalogs:



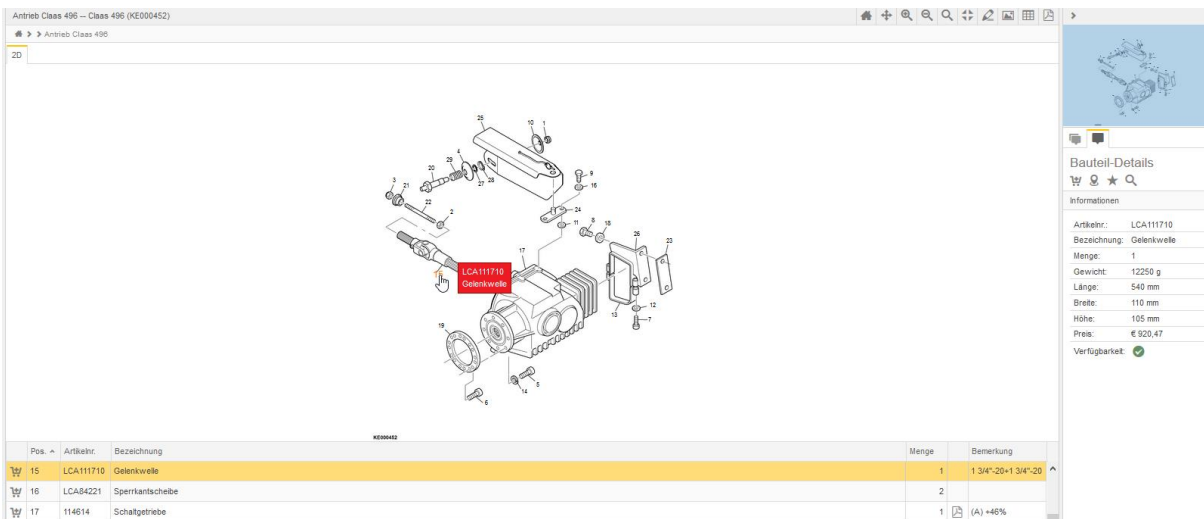
First select the catalog of your Kemper header.



All modules of the respective catalog are displayed on the left and also in the middle of the page.

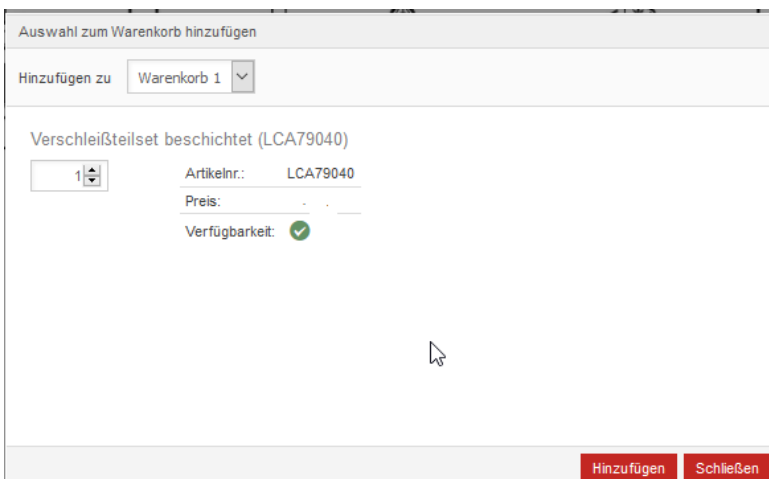


By clicking on the assembly, all individual parts appear in the middle of the page. The arrow is always shown in the driving direction.

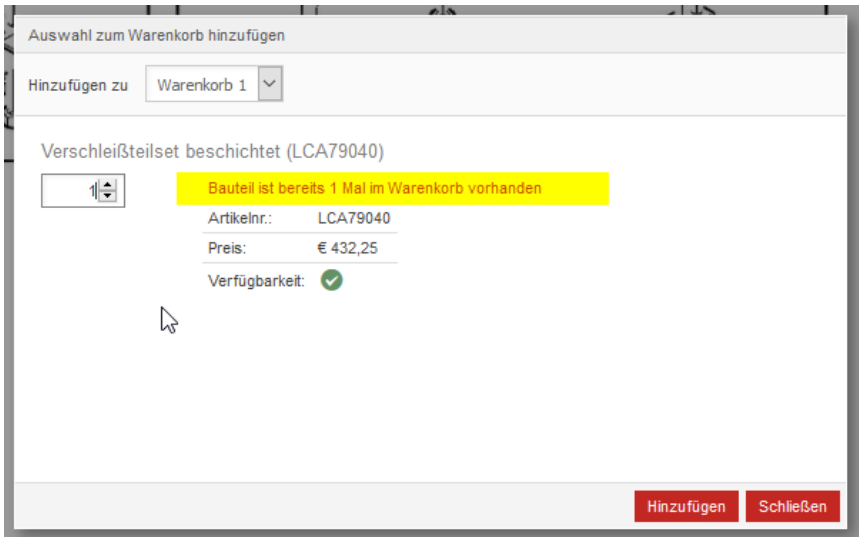


To select the corresponding article, please click either on the designation or the article number or on the position number (as shown in the picture).

To order an article, please click on the shopping cart symbol in front of the article number or on the shopping cart symbol in the component details.

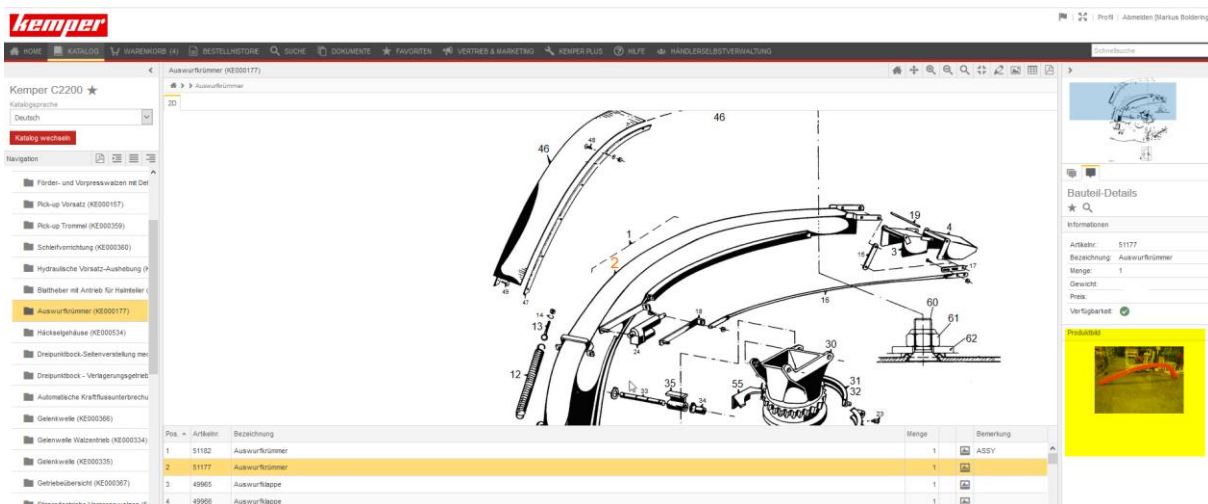


Then you have to confirm the order quantity.

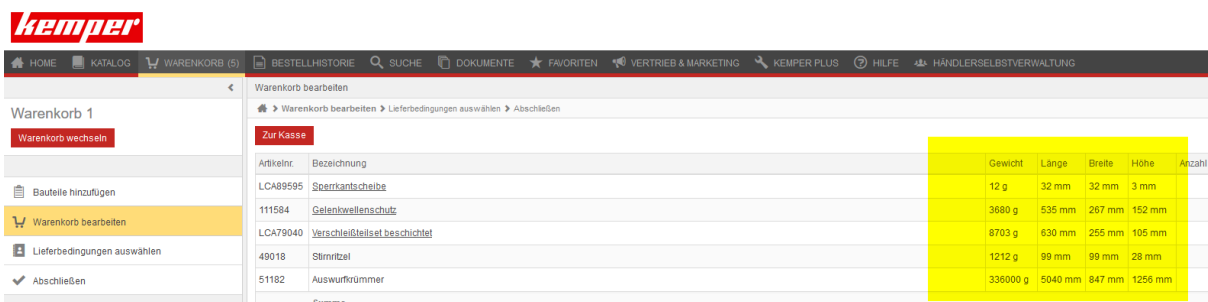


If an article number is already in the shopping cart - you will be notified.

If applicable you must adjust the order quantity at this point.



A product image is displayed at the bottom right of the page for better understanding.



The weight and dimensions of the items are specified in the shopping cart.

**Please note: weight and dimensions are stated without packaging!**